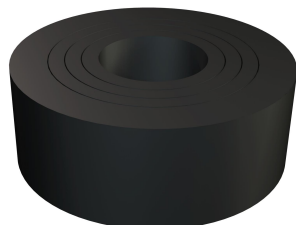


Technical data sheet

Cutting ring

Item number: 2029111



Rubber cutting ring (cuttable sealing ring) to DIN 46320 for cone cable gland.



CR/
NBR

NBR
SBR

Rubber mixture Rubber mixture

Master data

| | |
|---------------------|----------------|
| Item number | 2029111 |
| Type | 107 B PG11 |
| Description 1 | Cutting ring |
| Manufacturer | OBO |
| Dimension | PG11 |
| Colour | Black |
| Material | Rubber mixture |
| Smallest sales unit | 100 |
| Unit of quantity | Piece |
| Weight | 0.132 kg |
| Weight unit | kg/100 pc. |

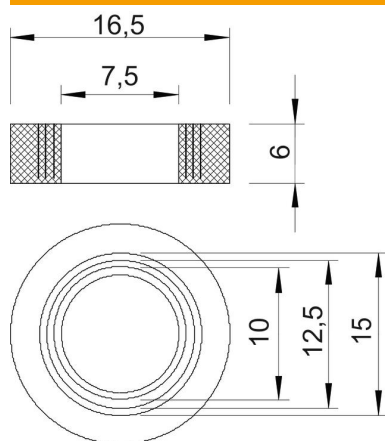
Technical data sheet

Cutting ring

Item number: 2029111



Dimensions



| | |
|--------------|---------|
| Dimension D1 | 7.5 mm |
| Dimension D2 | 16.5 mm |
| Dimension D3 | 10 mm |
| Maß D4 | 12.5 mm |
| Dimension D5 | 15 mm |
| Dimension H | 6 mm |

Technical data

| | |
|----------------------|---------|
| Sealing area D, max. | 12.5 mm |
| Sealing area D, min. | 7.5 mm |
| Size | Pg 11 |