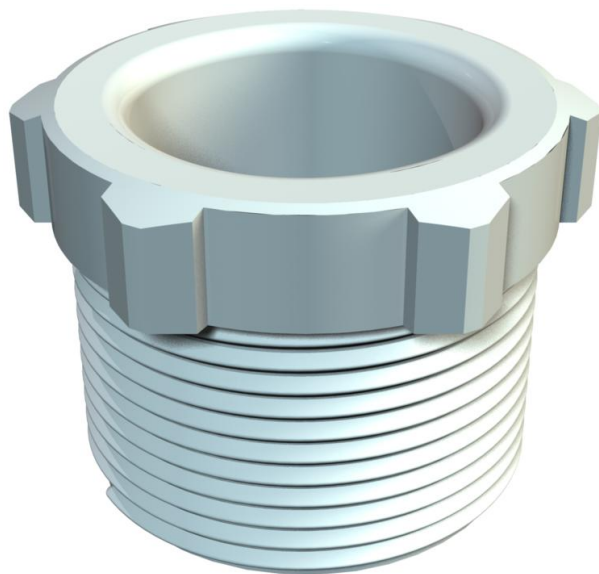


Technical data sheet

Pressure screw, PG thread, light grey

Item number: 2025213



Pressure screw (Part 1) to DIN 46320, with Pg thread DIN 40430.



PS Polystyrene

Master data

Item number	2025213
Type	107 E PG21 PS
Description 1	Pressure screw
Manufacturer	OBO
Dimension	PG21
Colour	Light grey; RAL 7035
Material	Polystyrene
Smallest sales unit	50
Unit of quantity	Piece
Weight	0.7 kg
Weight unit	kg/100 pc.

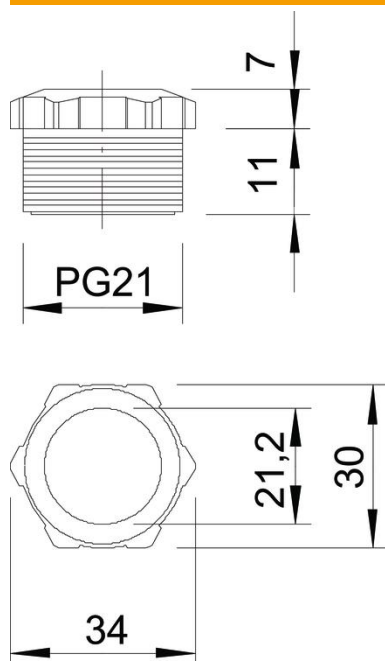
Technical data sheet

Pressure screw, PG thread, light grey

Item number: 2025213



Dimensions



Dimension D	21.2 mm
Dimension E	34 mm
Dimension L1	17 mm
Dimension L2	7 mm

Technical data

Thread type	PG
Nominal thread size	21
Thread increase	1.59 mm
Fibre-glass reinforced	no
Halogen-free	yes
Impact-resistant	yes
WAF	30
Strain relief option	no