

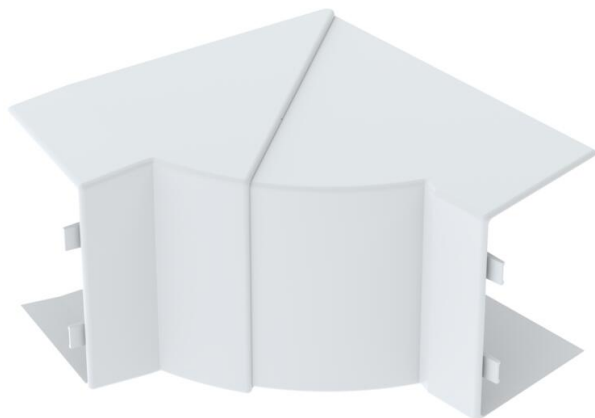
Technical data sheet

LE-IE internal corner

Item number: 6130244



Flexible internal corner as a fitting for changing the direction of the LE and AXIS trunking systems.
Cut-concealing and adjustable from 75°–105°.



PC/ABS Polycarbonate/Acrylnitrile-butadiene-styrene

Master data

Item number	6130244
Type	AX AI9060 blc
Description 1	Internal corner
Description 2	AXIS 60x90 9010
Manufacturer	OBO
Dimension	132x90x132
Colour	Pure white; RAL 9010
Material	Polycarbonate/Acrylnitrile-butadiene-styrene
Smallest sales unit	4
Unit of quantity	Piece
Weight	12.5 kg
Weight unit	kg/100 pc.
CO2 Footprint (GWP) Cradle-to-Gate	0,7019 kg CO2e / 1 Piece

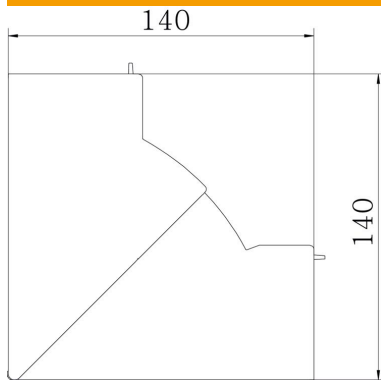
Technical data sheet

LE-IE internal corner

Item number: 6130244



Dimensions



Length	132 mm
Width	132 mm
Height	90 mm

Technical data

Version for	Hood fitting
Fastening type	Lockable
Maintain electrical functions	no
Halogen-free	yes
Protective film	no
Angle range, min.	75 mm