

Technical data sheet

Cable tray BKRS 110 FS

Item number: 6061985



Heavy-duty, walkable cable tray system BKRS with base perforation, in 110 mm side height.

The cable tray has connector perforations on both sides. Straight connectors should be ordered separately and in the appropriate quantity.

Magnetic shield insulation without cover 20 dB, with cover 50 dB.



St Steel

FS Strip galvanized

Master data

Item number	6061985
Type	BKRS 1130 FS
Description 1	Cable tray BKRS
Description 2	walkable
Manufacturer	OBO
Dimension	110x300x3000
Material	Steel
Surface	Strip galvanized
Surface standard	DIN EN 10346
Smallest sales unit	3
Unit of quantity	Metre
Weight	806.833 kg
Weight unit	kg/100 m

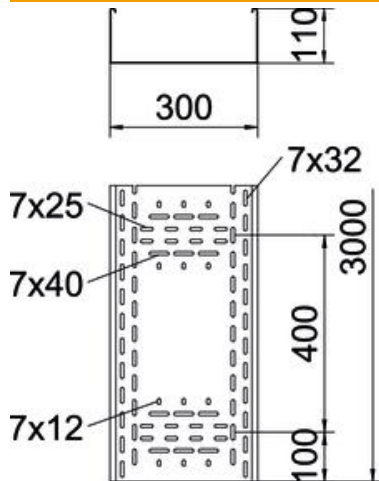
Technical data sheet

Cable tray BKRS 110 FS

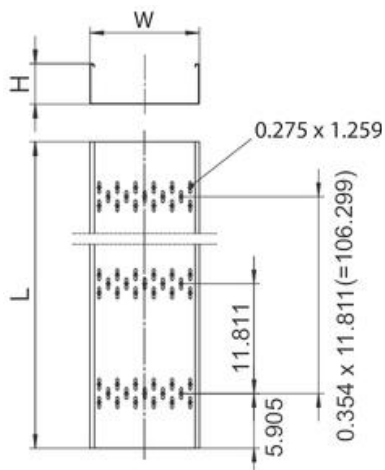
Item number: 6061985



Dimensions



Length	3,000 mm
Length	10 ft
Width	300 mm
Width	12 in
Height	110 mm
Height	4 in
Plate thickness	0.08 in
Plate thickness	2 mm
Dimension B	300 mm
Dimension H	110 mm
Dimension L	3,000 mm



Technical data sheet

Cable tray BKRS 110 FS

Item number: 6061985



Technical data

Connector version	Without connectors
Mounting system fastening type	Floor
Walkable	yes
Maintain electrical functions	no
With cover	no
Mounting perforation in base	yes
NATO hole pattern	no
Usable cross-section	296 cm ²
Usable cross-section	29600 mm ²
Rustproof steel, pickled	no
Side perforation	no
Wide-span version	no
Load test type according to IEC 61537	Type II
Type of connector, cable support system	Screwed

Loads

Insertable support spacings, min.	1.5 m
Insertable support spacings, max.	3 m
Support spacing 1.5 m	3.44 kN/m
Support spacing 2.0 m	3.33 kN/m
Support spacing 2.5 m	2.61 kN/m
Support spacing 3.0 m	2.08 kN/m