

# Technical data sheet

## Cover for 90° vertical bend, falling, FS

Item number: 7130856



Cover for falling vertical bends of side height 60 mm.  
The fastening is guaranteed by the overlap of the cable tray covers. The cover can also be fastened using cover clamps.



**St** Steel

**FS** Strip galvanized

### Master data

Item number	7130856
Type	DBV 60 150 F FS
Description 1	Cover for 90° vertical bend
Description 2	falling
Manufacturer	OBO
Dimension	B150mm
Material	Steel
Surface	Strip galvanized
Surface standard	DIN EN 10346
Smallest sales unit	1
Unit of quantity	Piece
Weight	36.9 kg
Weight unit	kg/100 pc.

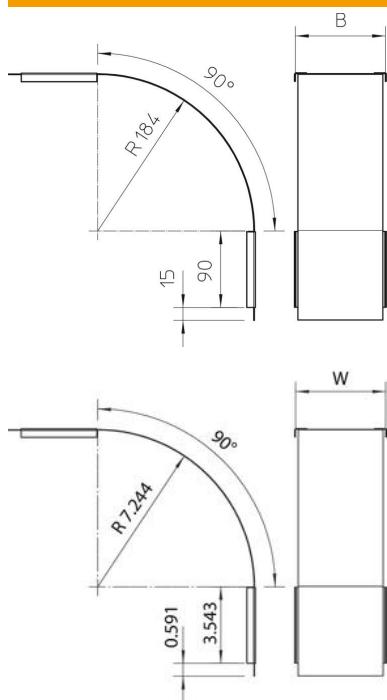
# Technical data sheet

Cover for 90° vertical bend, falling, FS

Item number: 7130856



## Dimensions



Width	150 mm
Width	6 in
Height	60 mm
Plate thickness	0.03 in
Plate thickness	0.75 mm
Dimension B (mm)	150 mm

## Technical data

Bend (angle)	90°
Fastening type	Sash lock
Maintain electrical functions	no
Suitable for mesh cable tray	no
Suitable for cable ladder	no
Suitable for cable tray	yes
Change of direction	Vertical, falling
Rustproof steel, pickled	no
Hinged	no