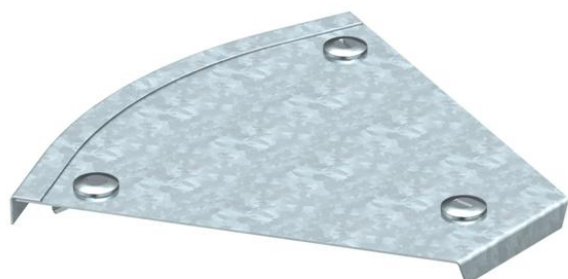


Technical data sheet

Cover for 45° bend FS

Item number: 7128819



Cover for 45° bend with pre-mounted turn buckle.
The cover can be used with fittings of all side heights.



St Steel

FS Strip galvanized

Master data

Item number	7128819
Type	DFB 45 100 FS
Description 1	45° bend cover
Description 2	with sash locks, RB 45 100
Manufacturer	OBO
Dimension	B100mm
Material	Steel
Surface	Strip galvanized
Surface standard	DIN EN 10346
Smallest sales unit	1
Unit of quantity	Piece
Weight	19.4 kg
Weight unit	kg/100 pc.

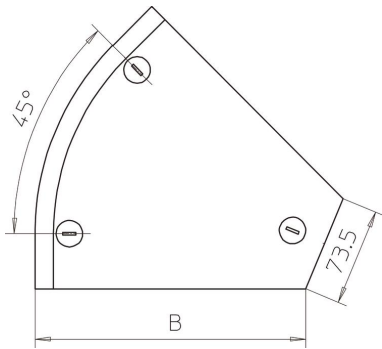
Technical data sheet

Cover for 45° bend FS

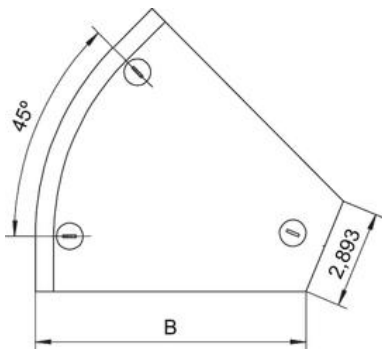
Item number: 7128819



Dimensions



Width	100 mm
Width	4 in
Height	35 mm
Plate thickness	0.04 in
Plate thickness	1 mm
Dimension B (mm)	100 mm
Dimension H	15 mm



Technical data

Bend (angle)	45°
Number of turn buckles	3 St.
Fastening type	Sash lock
Maintain electrical functions	no
Suitable for mesh cable tray	no
Suitable for cable ladder	no
Suitable for cable tray	yes
Change of direction	Horizontal
Rustproof steel, pickled	no
Hinged	no