

# Technical data sheet

## Setting tool for drop-in anchor

Item number: 3492030



Setting tool for drop-in anchor of the type E. With the standard version there is no marking made on the anchor sleeve.



- St** Steel
- G** Electrogalvanized

### Master data

Item number	3492030
Type	E-SW 8x30
Description 1	Standard Setting Tool
Description 2	for Drop-in Anchor E/ES
Manufacturer	OBO
Dimension	8x30
Material	Steel
Surface	Electrogalvanized
Surface standard	EN ISO 19598 / EN ISO 4042
Smallest sales unit	1
Unit of quantity	Piece
Weight	13.4 kg
Weight unit	kg/100 pc.

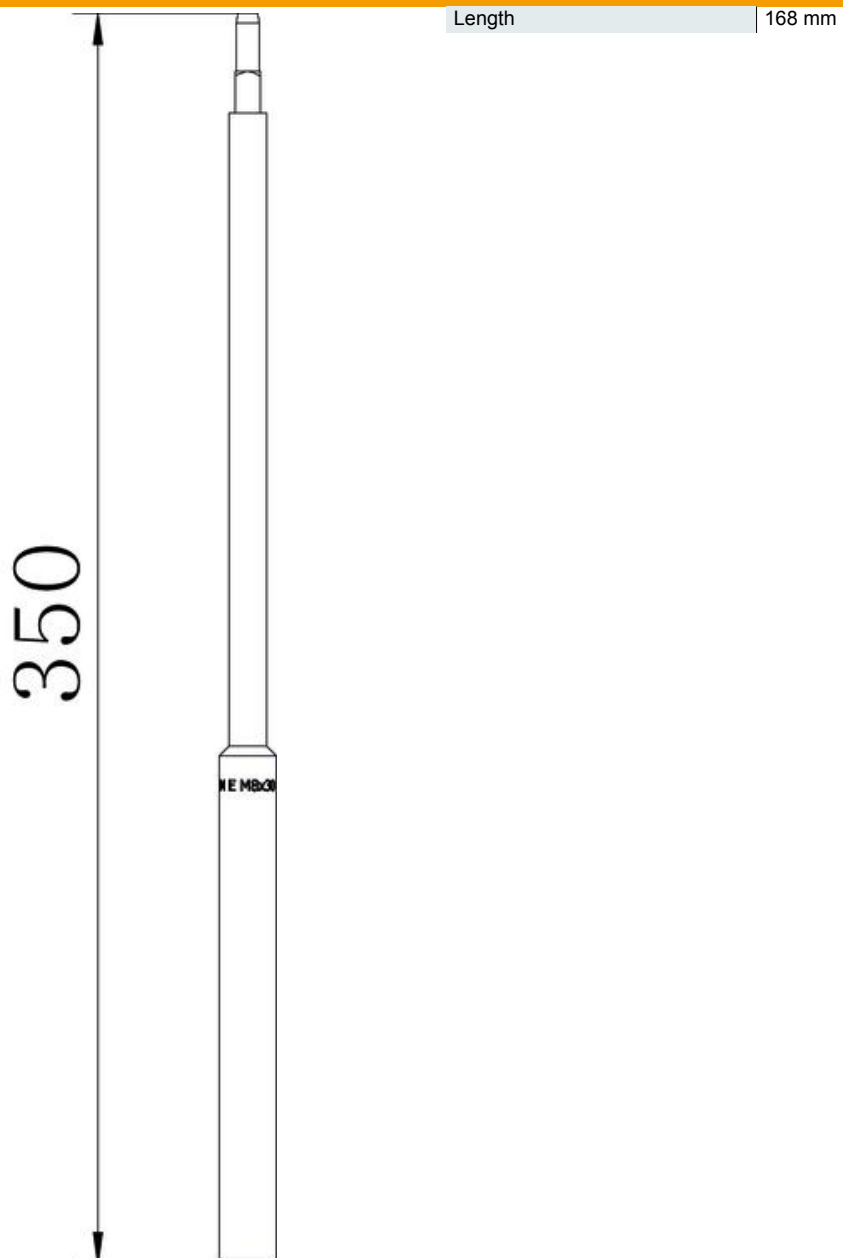
# Technical data sheet

## Setting tool for drop-in anchor

Item number: 3492030



### Dimensions



# Technical data sheet

## Setting tool for drop-in anchor

Item number: 3492030



### Technical data

Thread	M8
With hand protection	no
Pin dimension	8 mm