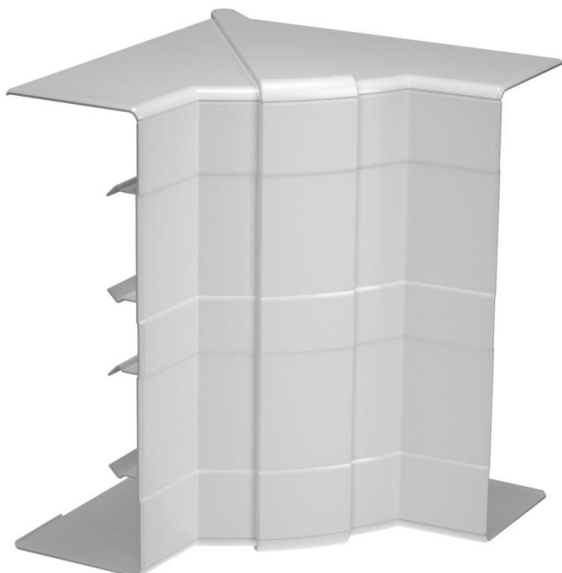


Technical data sheet

Internal corner hood, for Rapid 45-2 device installation trunking, type GK-53165
Item number: 6113442



Internal corner for changing the direction of Rapid 45 device installation trunking.



Polycarbonate/Acrylnitrile-butadiene-styrene

Master data

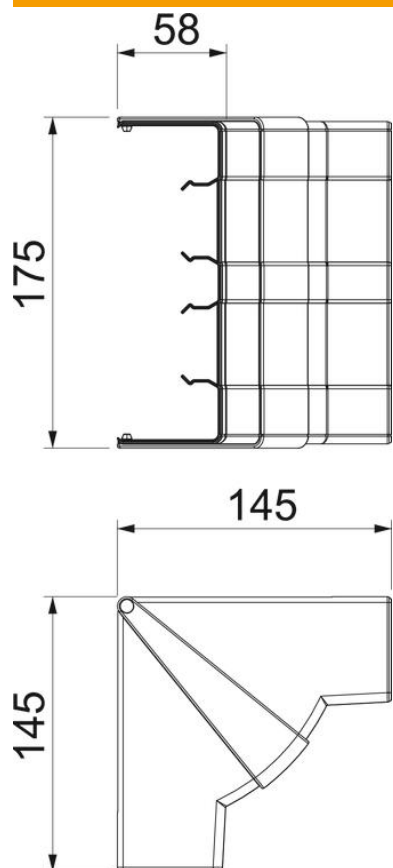
Item number	6113442
Type	GK-IH53165LGR
Description 1	Internal corner
Description 2	variable
Manufacturer	OBO
Dimension	175x145x145
Colour	Light grey; RAL 7035
Material	Polycarbonate/Acrylnitrile-butadiene-styrene
Smallest sales unit	1
Unit of quantity	Piece
Weight	15.634 kg
Weight unit	kg/100 pc.

Technical data sheet

Internal corner hood, for Rapid 45-2 device installation
trunking, type GK-53165
Item number: 6113442



Dimensions



Length	145 mm
Width	165 mm
Height	53 mm

Technical data sheet

Internal corner hood, for Rapid 45-2 device installation
trunking, type GK-53165
Item number: 6113442



Technical data

Number of covers	1
Version for	Hood fitting
Shape	Symmetrical
Halogen-free	yes
Cable retaining clip	no
Duct connector	no
Cover mounting type	Cross-over
Mounting perforation in base	no
Cover width	0 mm
Cover width 2	0 mm
Cover width 3	0 mm
Protection rating	IP40
Protective film	no
Protection rating IK code	IK08
Permitted temperature range, max.	60 °C
Permitted temperature range, min.	-15 °C
Angle range, max.	97 mm
Angle range, min.	83 mm