

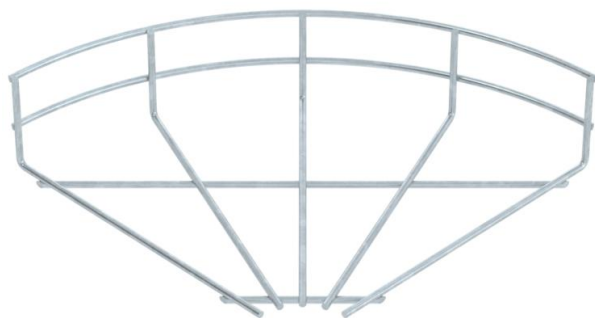
# Technical data sheet

## 90° mesh cable tray bend FT

Item number: 6002226



90° bend, horizontal, for all mesh cable trays of 55 mm side height.



**St** Steel

**FT** Hot-dip galvanised

### Master data

Item number	6002226
Type	GRB 90 520 FT
Description 1	90° mesh cable tray bend
Manufacturer	OBO
Dimension	55x200
Material	Steel
Surface	Hot-dip galvanised
Surface standard	DIN EN ISO 1461
Smallest sales unit	1
Unit of quantity	Piece
Weight	19.8 kg
Weight unit	kg/100 pc.

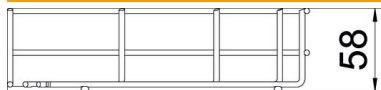
# Technical data sheet

## 90° mesh cable tray bend FT

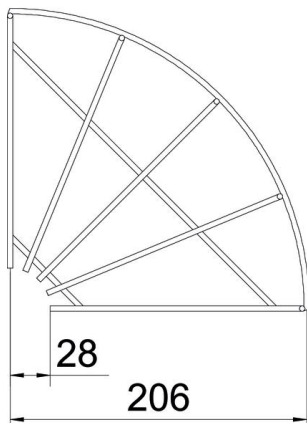
Item number: 6002226



### Dimensions



Width	200 mm
Width	7.87 in
Height	55 mm



### Technical data

Bend (angle)	90°
Connector version	Without connectors
Type	Horizontal bend
Maintain electrical functions	no
Rustproof steel, pickled	no