

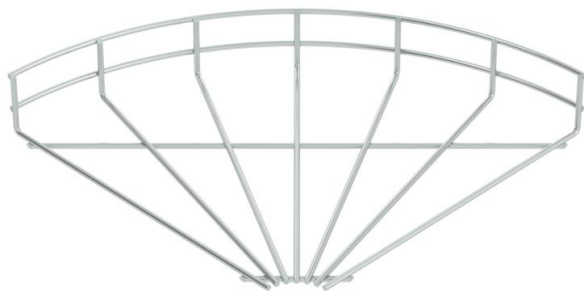
# Technical data sheet

## 90° mesh cable tray bend G

Item number: 6001947



90° bend, horizontal, for all mesh cable trays of 55 mm side height.



**St** Steel

**G** Electrogalvanized

### Master data

Item number	6001947
Type	GRB 90 530 G
Description 1	90° mesh cable tray bend
Manufacturer	OBO
Dimension	55x300
Material	Steel
Surface	Electrogalvanized
Surface standard	EN ISO 19598 / EN ISO 4042
Smallest sales unit	1
Unit of quantity	Piece
Weight	50.5 kg
Weight unit	kg/100 pc.

# Technical data sheet

## 90° mesh cable tray bend G

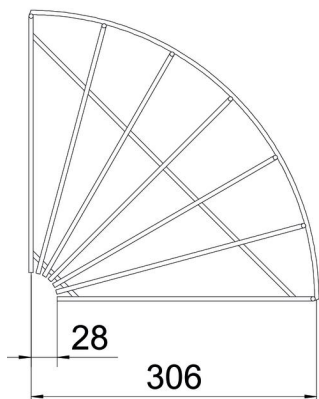
Item number: 6001947



### Dimensions



Width	300 mm
Width	11.81 in
Height	55 mm



### Technical data

Bend (angle)	90°
Connector version	Without connectors
Type	Horizontal bend
Maintain electrical functions	no
Rustproof steel, pickled	no