

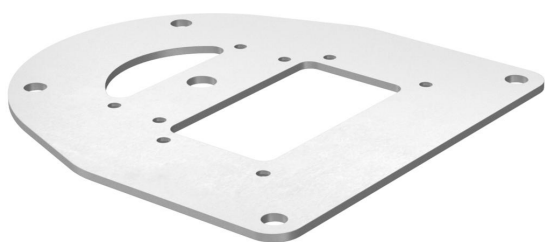
Technical data sheet

Floor plate for ISS110100R

Item number: 6290330



Floor plate to fasten the ISS110100R on the floor. The floor plate with visible edge has four fastening holes of Ø 8.5 mm.



St Steel

FSK Strip galvanized / plastic coated

Master data

Item number	6290330
Type	ISSBP110100RW
Description 1	Floor plate
Description 2	for ISS110100R
Manufacturer	OBO
Dimension	170x160x3
Colour	Pure white; RAL 9010
Material	Steel
Surface	Strip galvanized / plastic coated
Surface standard	DIN EN 10346
Smallest sales unit	1
Unit of quantity	Piece
Weight	43.6 kg
Weight unit	kg/100 pc.

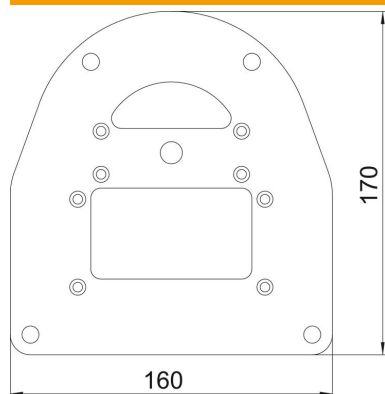
Technical data sheet

Floor plate for ISS110100R

Item number: 6290330



Dimensions



Length	170 mm
Width	160 mm
Height	3 mm

Technical data

xxxxx.	no
Halogen-free	yes