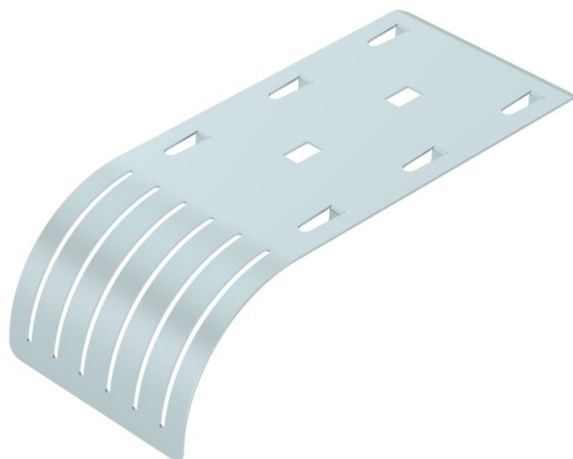


Technical data sheet

Drop-out FS

Item number: 6220139



Drop-out plate for mesh cable trays.

The exit plate allows compliance with specific bend radii, thus preventing possible cable breaks. Can be mounted in a lengthwise direction and at the side, can be arranged for greater widths.



St Steel

FS Strip galvanized

Master data

Item number	6220139
Type	KAB GR FS
Description 1	Cable exit plate
Description 2	for mesh cable tray
Manufacturer	OBO
Dimension	192x85x51
Material	Steel
Surface	Strip galvanized
Surface standard	DIN EN 10346
Smallest sales unit	10
Unit of quantity	Piece
Weight	14.1 kg
Weight unit	kg/100 pc.

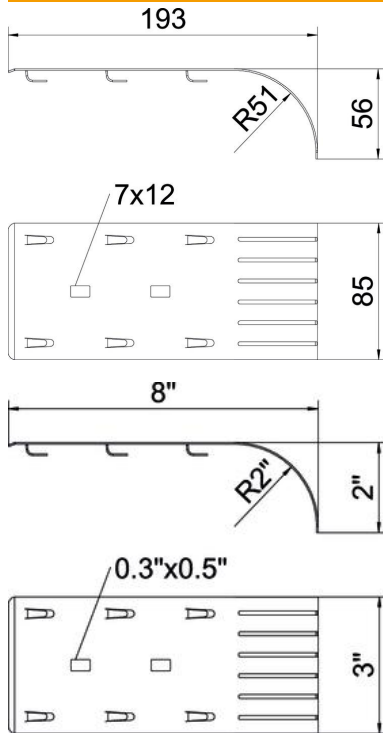
Technical data sheet

Drop-out FS

Item number: 6220139



Dimensions



Length	193 mm
Width	85 mm
Width	3.47 in

Technical data

Maintain electrical functions	no
Rustproof steel, pickled	no
Wide-span version	no