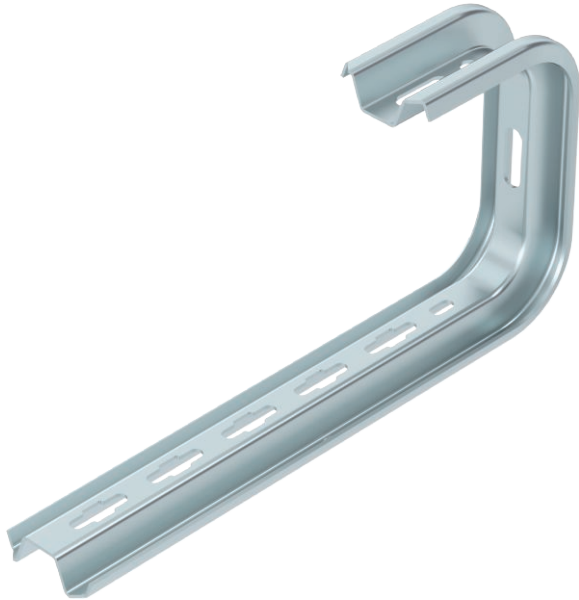


Technical data sheet

TP wall and ceiling bracket

Item no. 6363822



TP wall and ceiling bracket for universal use.

Important! If the wall and ceiling bracket is fixed directly to the wall or ceiling, then, for reasons of stability, always use the spacer, type DS 4.



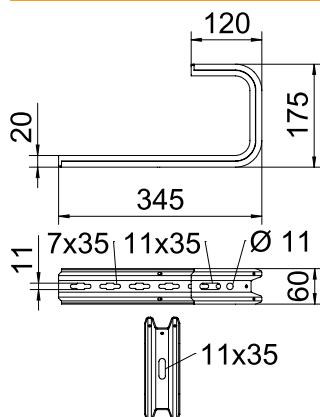
St Steel

FS Strip galvanised

Master data

Item no.	6363822
Type	TPD 345 FS
Description 1	Wall and ceiling bracket
Description 2	TP profile
Dimension	B345mm
Material	Steel
Material symbol	St
Surface	Strip galvanised
Surface to DIN	DIN EN 10346
Surface symbol	FS
Smallest sales unit (VG)	1 Piece
Weight	78,00 kg/100 pc.

Technical data



Length	345,00 mm
Width	345,00 mm
Dimension B	345,00 mm
Dimension H	175,00 mm
Version	Suspension bracket (C clamp)
F in ceiling	0,50 kN
F in kN wall	0,55 kN
for width	300,00 mm
Suitable for tray/ladder width	300,00 mm
Suitable for maintaining electrical function	<input type="checkbox"/>
Suitable for cable tray	<input checked="" type="checkbox"/>
Suitable for cable ladder	<input checked="" type="checkbox"/>
Suitable for mesh cable tray	<input checked="" type="checkbox"/>
Adjustable	<input type="checkbox"/>

Appr. load:

Anchor, approved F 1.65 | 1,65 kN

Technical data sheet

TP wall and ceiling bracket

Item no. 6363822



Technical data

Appr. load:

Anchor, approved F 3.57 | 3,57 kN

Technical data sheet

TP wall and ceiling bracket

Item no. 6363822



Technical data

Appr. load:

Technical data sheet

TP wall and ceiling bracket

Item no. 6363822



Technical data

Appr. load: