

Technical data sheet

TPSAG TP support/wall and support bracket

Item no. 6366031



TP bracket with clamping lugs for screwless mesh cable tray fastening.

If the bracket is fastened directly to the wall or the profiles are screwed together, then, for reasons of stability, always use the spacer, type DS 4.



St Steel

FS Strip galvanised

Product text, scope of delivery | Mesh cable trays with a 50 x 100 mm grid width, e.g. type GRL, GR and GRM, can be fastened to the TP bracket without screws.

Master data

Item no.	6366031
Type	TPSAG 245 FS
Description 1	TP wall and support bracket
Description 2	for mesh cable tray
Dimension	B245mm
Material	Steel
Material symbol	St
Surface	Strip galvanised
Surface to DIN	DIN EN 10346
Surface symbol	FS
Smallest sales unit (VG)	1 Piece
Weight	48,00 kg/100 pc.

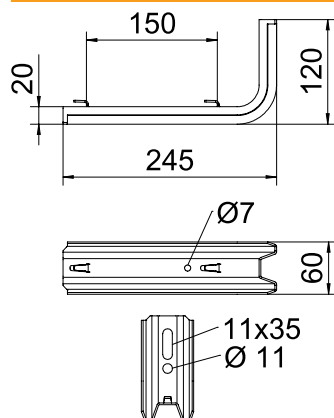
Technical data sheet

TPSAG TP support/wall and support bracket

Item no. 6366031

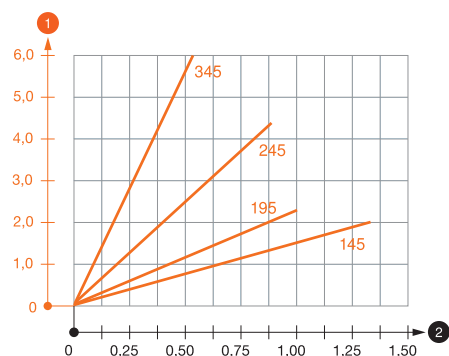


Technical data



Length	245,00 mm
Width	245,00 mm
Side height	55,00 mm
Dimension B	245,00 mm
Dimension L	150,00 mm
Dimension value	20 x 60 x 2
Version	S profile
F in kN	0,90 kN
for width	200,00 - 200,00 mm
Suitable for maintaining electrical function	<input type="checkbox"/>
Rustproof steel, pickled	<input type="checkbox"/>

Load charts



Load diagram, bracket TPSAG

- 1 Bending of the bracket tip at permitted bracket load
- 2 Permitted bracket load in kN without man load
- Load curve with bracket lengths in mm

Characteristic anchor load values for TP bracket

Wall fastening				
	Max. load [kN]			
	Bracket width [mm]			
	Anchor type	145	195	245
BZ-U 8-30-41/95	1,00	1,30	0,70	2,40
BZ-U 10-30-50/110	1,50	1,00	0,90	0,55

Max. total load F = cable weight + cable tray + bracket. The load capacity values increase considerably when used in uncracked concrete. The values given are based on concrete of strength class C20/25. Observe the installation conditions of the DIBt approval (anchors).

Characteristic anchor load values for TP bracket

T1	Wall fastening				
T2		Max. load [kN]			
T3		Bracket width [mm]			
T4	Anchor type	145	195	245	345
	BZ-U 8-30-41/95	1	1,3	0,7	2,4
	BZ-U 10-30-50/110	1,5	1	0,9	0,55