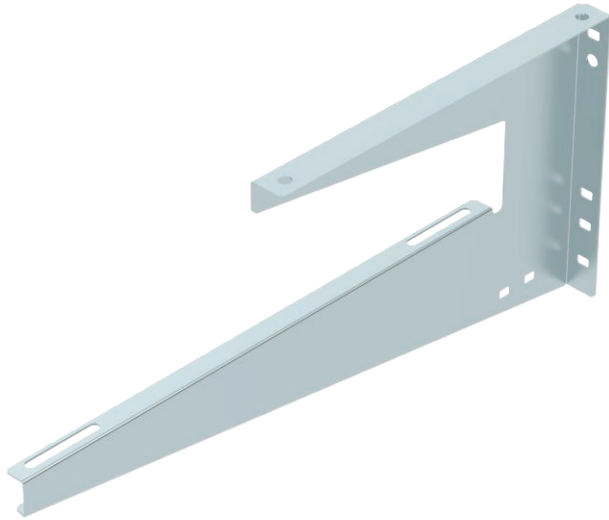


Technical data sheet

Wall and ceiling bracket

Item no. 6363710



Wall and ceiling bracket for universal structural fastening.

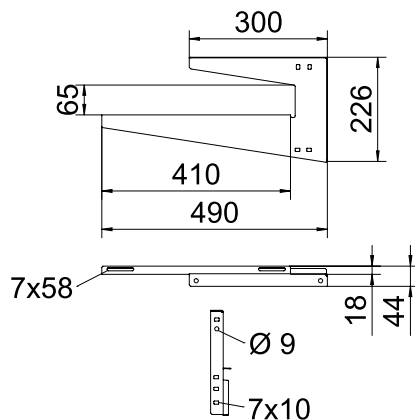


St	Steel
FS	Strip galvanised

Master data

Item no.	6363710
Type	WDB L 400 FS
Description 1	Wall and ceiling bracket
Description 2	lightweight version
Dimension	B400mm
Material	Steel
Material symbol	St
Surface	Strip galvanised
Surface to DIN	DIN EN 10346
Surface symbol	FS
Smallest sales unit (VG)	1 Piece
Weight	73,00 kg/100 pc.

Technical data



Length	490,00 mm
Width	410,00 mm
Height	226,00 mm
Dimension B	410,00 mm
Dimension H	226,00 mm
Dimension h1	65,00 mm
Dimension L	490,00 mm
Version	Suspension bracket (C clamp)
Tray fastening	Screw-on
F in ceiling	0,12 kN
F in kN wall	0,12 kN
for width	400,00 mm
for threaded rod	M8
For metric threaded rod	8
Suitable for tray/ladder width	400,00 mm
Suitable for maintaining electrical function	<input type="checkbox"/>
Suitable for cable tray	<input checked="" type="checkbox"/>
Suitable for cable ladder	<input checked="" type="checkbox"/>
Suitable for mesh cable tray	<input checked="" type="checkbox"/>
Hole diameter	7,00 mm

Technical data sheet

Wall and ceiling bracket

Item no. 6363710

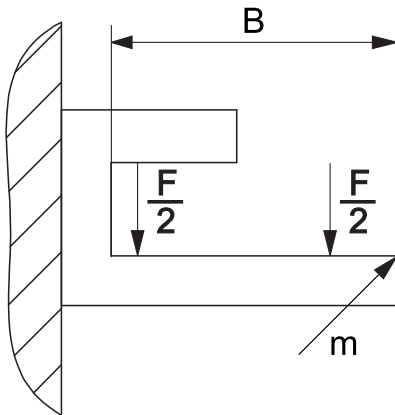


Technical data

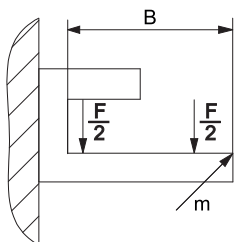
Material thickness	1,25 mm
Adjustable	<input type="checkbox"/>

Appr. load:

Table 1

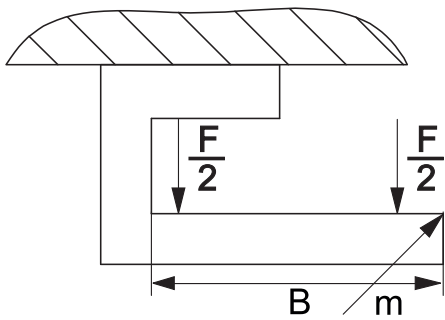


Tables controller	s-1=grau;z-1=grau;z-2=grau
-------------------	----------------------------



Wall fastening						
	Max. load [kN]					
	Bracket length [mm]					
Anchor type	50	100	150	200	300	400
BZ-U 8-30-41/95	0,40	0,25	0,22	0,30	0,20	0,12

Table 2



Tables controller	s-1=grau;z-1=grau
-------------------	-------------------

