

Technical data sheet

Adjustable bend element 60 A2

Item number: 6225466



Adjustable bend element with welded rung for use in cable ladder types with a side height of 60 mm.



VA Stainless steel, grade 354/1

2B Bright, treated

Master data

| | |
|---------------------|------------------------------|
| Item number | 6225466 |
| Type | LGBE 650 A2 |
| Description 1 | Adjustable bend element |
| Description 2 | for cable ladder |
| Manufacturer | OBO |
| Dimension | 60x500 |
| Material | Stainless steel, grade 354/1 |
| Surface | Bright, treated |
| Surface standard | |
| Smallest sales unit | 1 |
| Unit of quantity | Piece |
| Weight | 122.9 kg |
| Weight unit | kg/100 pc. |

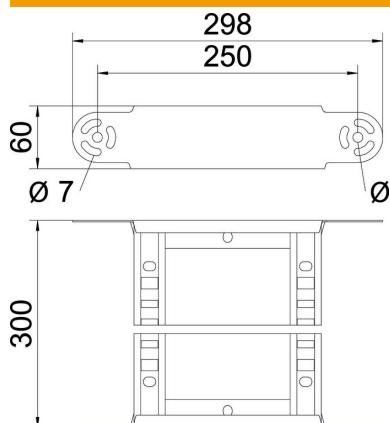
Technical data sheet

Adjustable bend element 60 A2

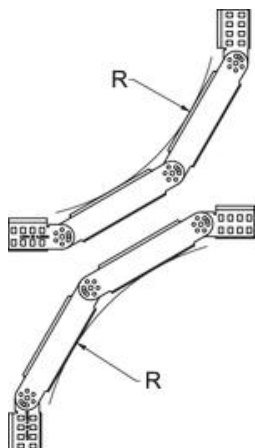


Item number: 6225466

Dimensions



| | |
|------------------|--------|
| Width | 500 mm |
| Height | 60 mm |
| Dimension B (mm) | 500 mm |
| Dimension R (mm) | 500 mm |



Technical data

| | |
|-------------------------------|--------------------------|
| Bend (angle) | Adjustable |
| Version of the rungs | Profile perforated |
| Side rail version | Flat profile |
| Connector version | Integrated connector |
| Maintain electrical functions | no |
| Change of direction | Vertical, rising/falling |
| Rustproof steel, pickled | no |
| Hinged | no |
| Side perforation | no |
| Wide-span version | no |