

Technical data sheet

Hook-head screw ZL

Item number: 1148218



Hook-head screw for use with MS5030 profile rail



St Steel

ZL Zinc slat

Master data

| | |
|---------------------|-------------------------|
| Item number | 1148218 |
| Type | MS50HB M10x30 ZL |
| Description 1 | Hook-head screw |
| Description 2 | for profile rail MS5030 |
| Manufacturer | OBO |
| Dimension | M10x30mm |
| Material | Steel |
| Surface | Zinc slat |
| Surface standard | |
| Smallest sales unit | 50 |
| Unit of quantity | Piece |
| Weight | 7.7 kg |
| Weight unit | kg/100 pc. |

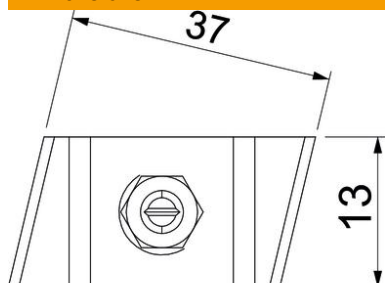
Technical data sheet

Hook-head screw ZL

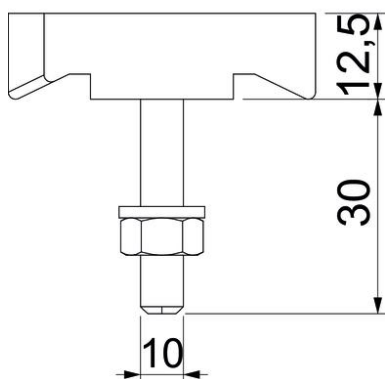
Item number: 1148218



Dimensions



| | |
|--------|---------|
| Length | 43.3 mm |
| Width | 13 mm |
| Height | 10 mm |



Technical data

| | |
|----------------------------|----------|
| Suitable for mounting rail | yes |
| Thread | M10x30mm |
| Thread metric | 10 |