

# Technical data sheet

Construction set for 90° angle to left, height 40–240 mm

Item number: 7423966



For the construction-side creation of a trunking junction as a 90° angle, T-piece or crossing. A flushfloor end cover is also required for the creation of a 90° angle (order separately). Suitable for the OKA-G and OKA-W trunking systems.



**St** Steel

**FS** Strip galvanized

## Master data

|                     |                     |
|---------------------|---------------------|
| Item number         | 7423966             |
| Type                | OKA-G50040240FBL    |
| Description 1       | Branch, left        |
| Description 2       | for OKA-G and OKA-W |
| Manufacturer        | OBO                 |
| Material            | Steel               |
| Surface             | Strip galvanized    |
| Surface standard    | DIN EN 10346        |
| Smallest sales unit | 1                   |
| Unit of quantity    | Piece               |
| Weight              | 102.7 kg            |
| Weight unit         | kg/100 pc.          |

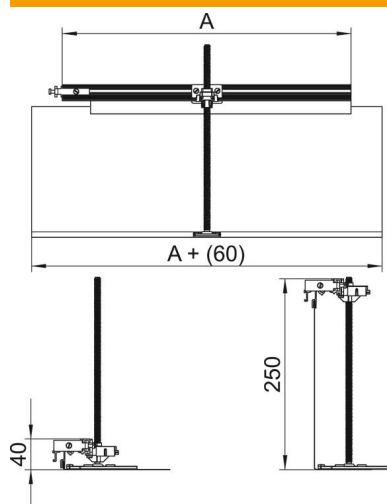
# Technical data sheet

Construction set for 90° angle to left, height 40–240 mm

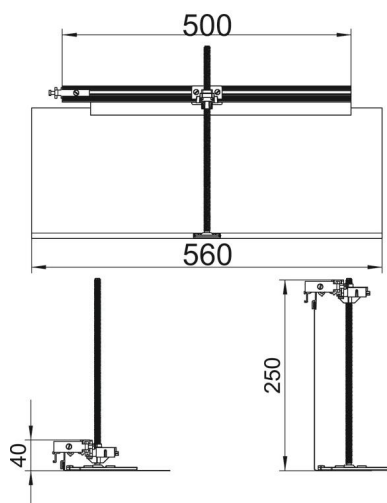
Item number: 7423966



## Dimensions



|        |        |
|--------|--------|
| Length | 560 mm |
| Width  | 500 mm |



# Technical data sheet

Construction set for 90° angle to left, height 40–240 mm

Item number: 7423966



## Technical data

|   |        |
|---|--------|
| Mounting opening cover                            | no     |
| Floor plate                                       | no     |
| Cover fastening, locking                          | no     |
| Seal installation option                          | no     |
| Installation opening for on-floor tank            | no     |
| Decouplable                                       | no     |
| Function  | Branch |
| Suitable for expansion joint                      | no     |
| Suitable for screed-flush closed underfloor ducts | no     |
| Suitable for flushfloor, open underfloor trunking | no     |
| Suitable for screed-covered underfloor ducts      | no     |
| Trunking height, max.                             | 240 mm |
| Duct height, min.                                 | 40 mm  |
| Minimum screed height                             | 40     |
| With connection opening                           | no     |
| With equipotential bonding                        | no     |
| With separating retainer                          | no     |
| With overhang                                     | yes    |
| Height-adjustment range, max.                     | 200 mm |
| Height-adjustment range, min.                     | 0 mm   |
| Removable cover                                   | no     |