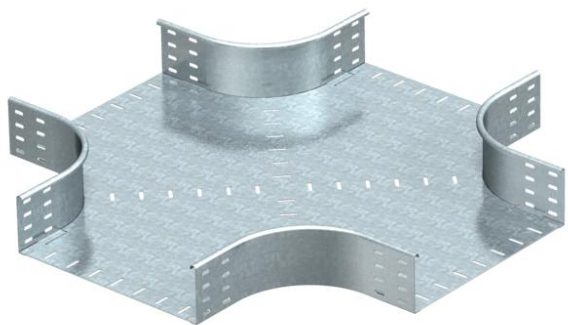


Technical data sheet

110 FS cross-over

Item number: 7004699



Horizontal cross-over for all cable tray types of 110 mm side height.
Fastening materials should be ordered separately.



- St** Steel
- FS** Strip galvanized

Master data

Item number	7004699
Type	RK 140 FS
Description 1	Cross over
Description 2	horizontal, round type
Manufacturer	OBO
Dimension	110x400
Material	Steel
Surface	Strip galvanized
Surface standard	DIN EN 10346
Smallest sales unit	1
Unit of quantity	Piece
Weight	906 kg
Weight unit	kg/100 pc.

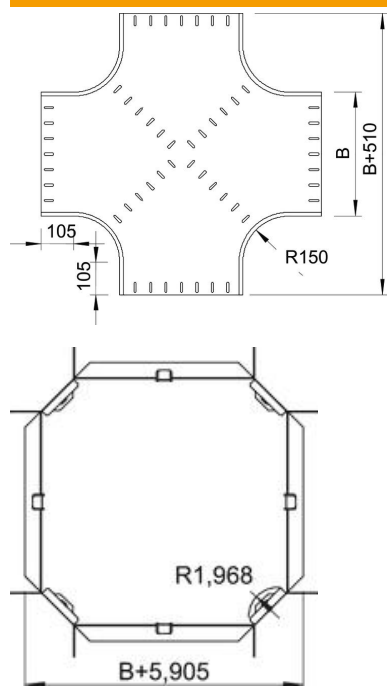
Technical data sheet

110 FS cross-over

Item number: 7004699



Dimensions



Width	400 mm
Width	16 in
Height	110 mm
Height	4 in
Dimension R	150 mm

Technical data

Bend (angle)	90°
Connector version	Without connectors
Maintain electrical functions	no
Material thickness, floor plate	1.5 mm
NATO hole pattern	no
Change of direction	Horizontal
Rustproof steel, pickled	no
Wide-span version	no
Type of connector, cable support system	Screwed
Rail thickness	1.25 mm