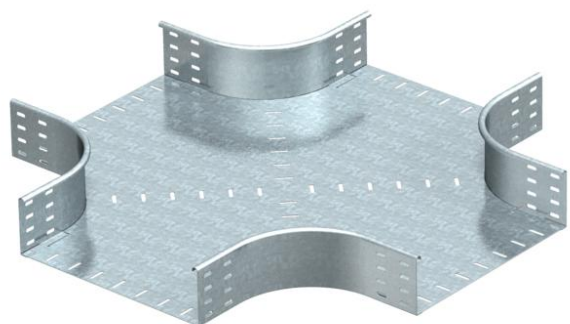


Technical data sheet

110 FS cross-over

Item number: 7004710



Horizontal cross-over for all cable tray types of 110 mm side height.
Fastening materials should be ordered separately.



St	Steel
FS	Strip galvanized

Master data

Item number	7004710
Type	RK 150 FS
Description 1	Cross over
Description 2	horizontal, round type
Manufacturer	OBO
Dimension	110x500
Material	Steel
Surface	Strip galvanized
Surface standard	DIN EN 10346
Smallest sales unit	1
Unit of quantity	Piece
Weight	1100 kg
Weight unit	kg/100 pc.

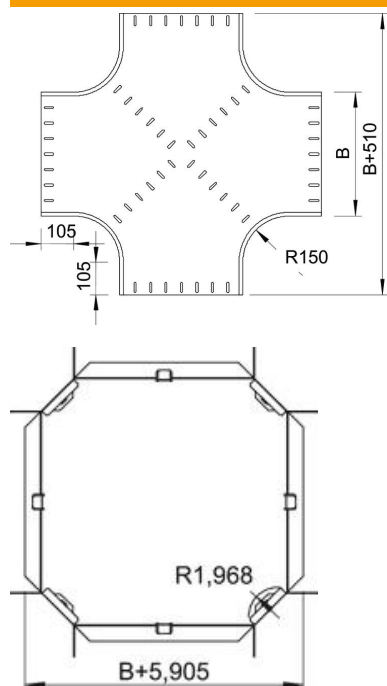
Technical data sheet

110 FS cross-over

Item number: 7004710



Dimensions



Width	500 mm
Width	20 in
Height	110 mm
Height	4 in
Dimension R	150 mm

Technical data

Bend (angle)	90°
Connector version	Without connectors
Maintain electrical functions	no
Material thickness, floor plate	1.5 mm
NATO hole pattern	no
Change of direction	Horizontal
Rustproof steel, pickled	no
Wide-span version	no
Type of connector, cable support system	Screwed
Rail thickness	1.25 mm