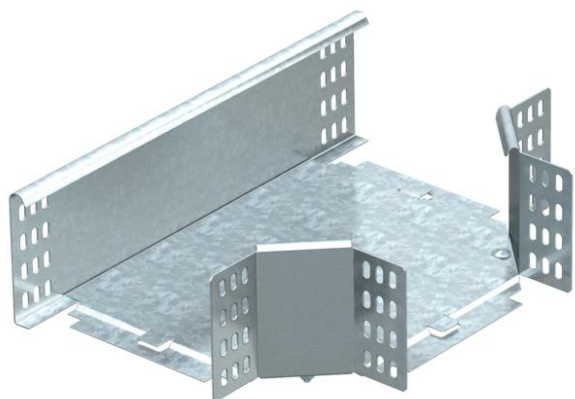


Technical data sheet

T branch piece 110 FS

Item number: 7003684



Horizontal T branch piece, for all cable tray types of 110 mm side height.
The fitting is shipped in an unmounted state. Including appropriate fastening material.



St Steel

FS Strip galvanized

Master data

Item number	7003684
Type	RT 130 FS
Description 1	T-branch piece
Description 2	horizontal + angle connector
Manufacturer	OBO
Dimension	110x300
Material	Steel
Surface	Strip galvanized
Surface standard	DIN EN 10346
Smallest sales unit	1
Unit of quantity	Piece
Weight	235 kg
Weight unit	kg/100 pc.

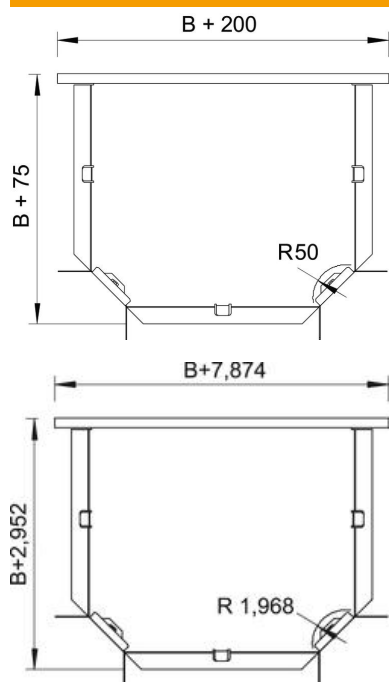
Technical data sheet

T branch piece 110 FS

Item number: 7003684



Dimensions



Width	300 mm
Width	12 in
Height	110 mm
Dimension B	300 mm
Dimension R	50 mm

Technical data

Bend (angle)	90°
Connector version	Supplied connectors
Maintain electrical functions	no
NATO hole pattern	no
Change of direction	Horizontal
Rustproof steel, pickled	no
Wide-span version	no
Type of connector, cable support system	Screwed
Rail thickness	1.25 mm