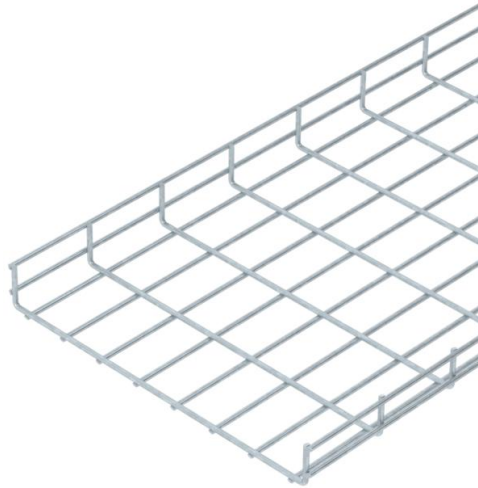


Technical data sheet

Heavy-duty cable tray SGR 55 FT

Item number: 6000451



Mesh cable tray made of spot-welded steel wire of side height 55 mm.
The grid width is 50 x 100 mm.
Magnetic shield insulation without cover 15 dB, with cover 25 dB.



St Steel

FT Hot-dip galvanised

Master data

| | |
|---------------------|---------------------|
| Item number | 6000451 |
| Type | SGR 55 400 FT |
| Description 1 | Mesh cable tray SGR |
| Manufacturer | OBO |
| Dimension | 55x400x3000 |
| Material | Steel |
| Surface | Hot-dip galvanised |
| Surface standard | DIN EN ISO 1461 |
| Smallest sales unit | 3 |
| Unit of quantity | Metre |
| Weight | 372.667 kg |
| Weight unit | kg/100 m |

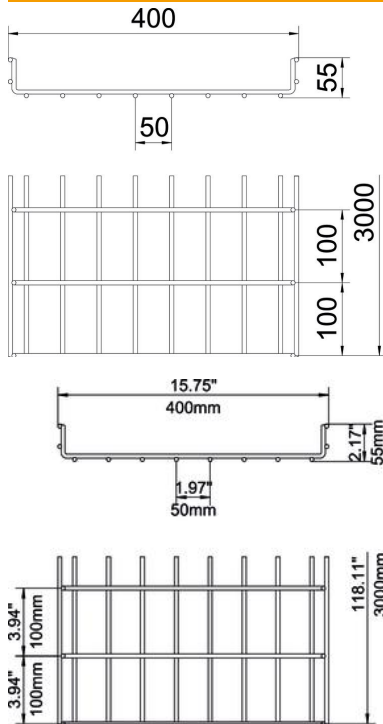
Technical data sheet

Heavy-duty cable tray SGR 55 FT

Item number: 6000451



Dimensions



| | |
|-------------|----------|
| Length | 3,000 mm |
| Width | 400 mm |
| Width | 15.75 in |
| Height | 55 mm |
| Height | 2.17 in |
| Dimension B | 400 mm |

Technical data

| | |
|---|-----------------------|
| Connector version | Without connectors |
| Mounting system fastening type | Ceiling Wall |
| Usable cross-section | 175 cm ² |
| Usable cross-section | 17500 mm ² |
| Profile shape | U-shaped |
| Load test type according to IEC 61537 | Type II |
| Type of connector, cable support system | Screwed |

Technical data sheet

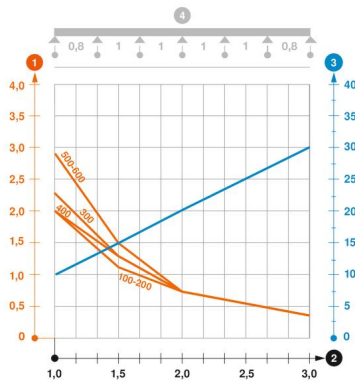
Heavy-duty cable tray SGR 55 FT

Item number: 6000451



Loads

| | |
|-----------------------------------|-----------|
| Insertable support spacings, min. | 1 m |
| Insertable support spacings, max. | 3 m |
| Support spacing 1.0 m | 2.3 kN/m |
| Support spacing 1.5 m | 1.3 kN/m |
| Support spacing 2.0 m | 0.75 kN/m |
| Support spacing 2.5 m | 0.45 kN/m |
| Support spacing 3.0 m | 0.4 kN/m |



Load diagram, mesh cable tray, type SGR 55

- 1 Permitted cable tray/ladder load in kN/m without man load
- 2 Support width in m
- 3 Rail bend in mm at permitted kN/m
- 4 Load scheme during testing
- Load curve with cable tray/ladder width in mm
- Strut bend curve according to support width