

Technical data sheet

Side holder FS

Item number: 6015336



Side holder for side suspension of the cable tray.



St Steel

FS Strip galvanized

Master data

Item number	6015336
Type	SH M10 FS
Description 1	Side holder
Description 2	for mesh cable tray
Manufacturer	OBO
Dimension	58x31
Material	Steel
Surface	Strip galvanized
Surface standard	DIN EN 10346
Smallest sales unit	50
Unit of quantity	Piece
Weight	5.8 kg
Weight unit	kg/100 pc.

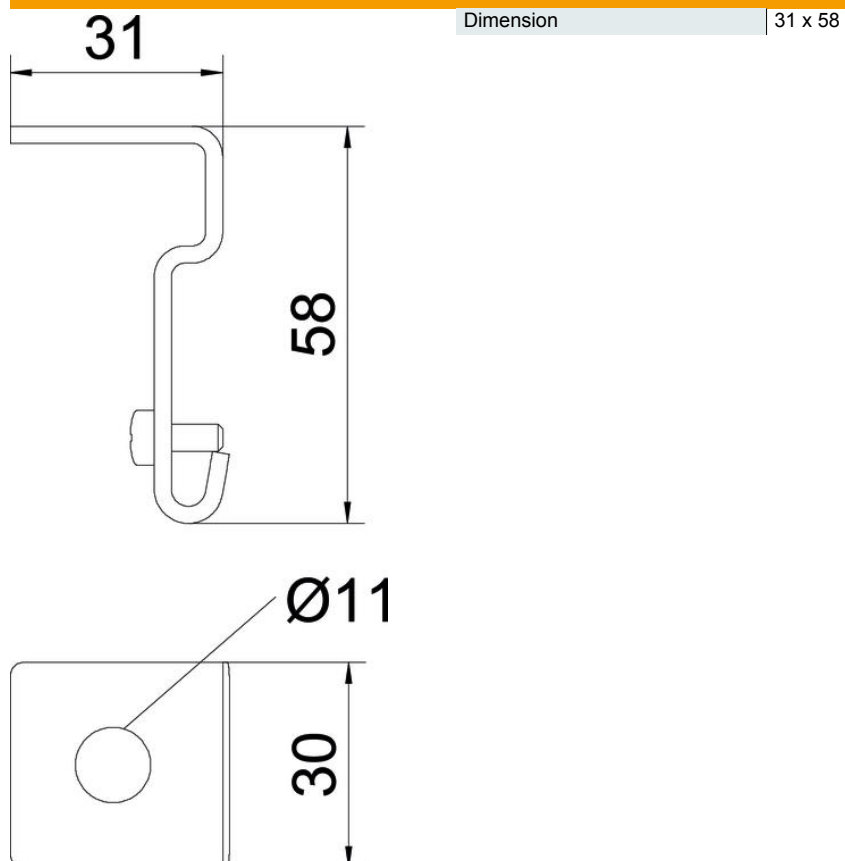
Technical data sheet

Side holder FS

Item number: 6015336



Dimensions



Technical data

Maintain electrical functions	no
Hole diameter	11 mm
Rustproof steel, pickled	no