

Technical data sheet

SLL 60 medium-duty vertical ladder, 6 m, FS

Item number: 6010620



Vertical ladder with a side height of 60 mm with riveted C profile rungs, open in upwards direction.

Fastening takes place directly on the wall or using the wall brackets, type WB 30/75. The slot dimension of the rung is 18 mm and the appropriate clamp clip is type 2056U.



St Steel

FS Strip galvanized

Master data

Item number	6010620
Type	SLL 620 CPS 4 FS
Description 1	Medium duty vertical ladder
Description 2	with CPS rung
Manufacturer	OBO
Dimension	60x200x6000
Material	Steel
Surface	Strip galvanized
Surface standard	DIN EN 10346
Smallest sales unit	6
Unit of quantity	Metre
Weight	274.6 kg
Weight unit	kg/100 m

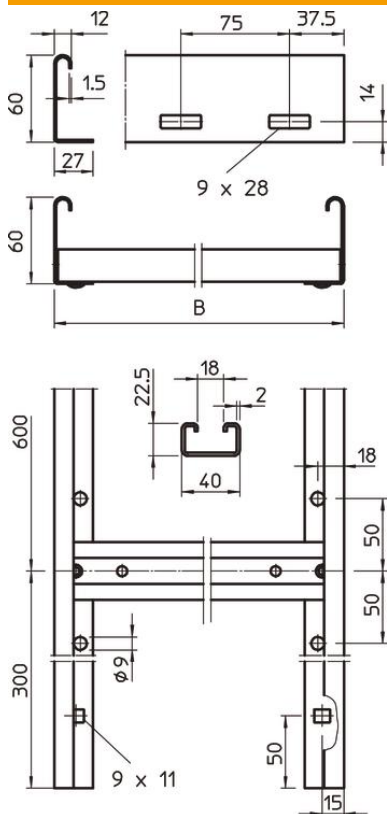
Technical data sheet

SLL 60 medium-duty vertical ladder, 6 m, FS



Item number: 6010620

Dimensions



Length	6,000 mm
Width	200 mm
Height	60 mm
Dimension B	200 mm
Rung slot dimension	18.00

Technical data

Side wall version	Flat profile
Version of the rungs	Profile perforated
Maintain electrical functions	no
Usable cross-section	76 cm ²
Rustproof steel, pickled	no
Side perforation	yes
Rung distance	600 mm
Rail thickness	1.5 mm