

# Technical data sheet

## SLL 60 medium-duty vertical ladder, 6 m, FS

Item number: 6010626



Vertical ladder with a side height of 60 mm with riveted C profile rungs, open in upwards direction.  
Fastening takes place directly on the wall or using the wall brackets, type WB 30/75. The slot dimension of the rung is 18 mm and the appropriate clamp clip is type 2056U.



- St** Steel
- FS** Strip galvanized

### Master data

|                     |                             |
|---------------------|-----------------------------|
| Item number         | 6010626                     |
| Type                | SLL 650 CPS 4 FS            |
| Description 1       | Medium duty vertical ladder |
| Description 2       | with CPS rung               |
| Manufacturer        | OBO                         |
| Dimension           | 60x500x6000                 |
| Material            | Steel                       |
| Surface             | Strip galvanized            |
| Surface standard    | DIN EN 10346                |
| Smallest sales unit | 6                           |
| Unit of quantity    | Metre                       |
| Weight              | 353.267 kg                  |
| Weight unit         | kg/100 m                    |

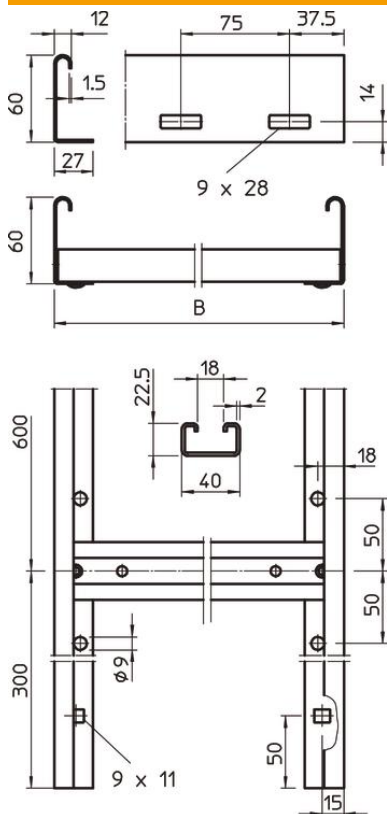
# Technical data sheet

SLL 60 medium-duty vertical ladder, 6 m, FS

Item number: 6010626



## Dimensions



|                     |          |
|---------------------|----------|
| Length              | 6,000 mm |
| Width               | 500 mm   |
| Height              | 60 mm    |
| Dimension B         | 500 mm   |
| Rung slot dimension | 18.00    |

## Technical data

|                               |                     |
|-------------------------------|---------------------|
| Side wall version             | Flat profile        |
| Version of the rungs          | Profile perforated  |
| Maintain electrical functions | no                  |
| Usable cross-section          | 190 cm <sup>2</sup> |
| Rustproof steel, pickled      | no                  |
| Side perforation              | yes                 |
| Rung distance                 | 600 mm              |
| Rail thickness                | 1.5 mm              |