

# Technical data sheet

## Grip, metal 30

Item no. 2207036



Metal cable tidy for high mechanical stability, even in case of fire. Suitable for safe mounting above fire protection ceilings. Also approved as a cable-specific variant for the maintenance of electrical function to DIN 4102 part 12. For wall and ceiling mounting. Lock can be opened without tools. Detailed information on the approved routing variants can be found in the appropriate testing documentation.

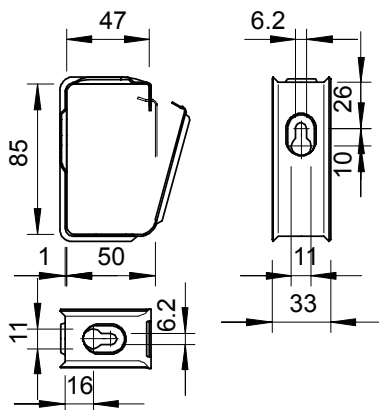


St	Steel
FS	Strip galvanised

### Master data

Item no.	2207036
Type	2031 M 30 FS
Description 1	Grip collecting clamp
Dimension	30x NYM3x1,5
Material	Steel
Material symbol	St
Surface	Strip galvanised
Surface to DIN	DIN EN 10346
Surface symbol	FS
Smallest sales unit (VG)	25 Piece
Weight	6,20 kg/100 pc.

### Technical data



No. of conductors NYM 3 x 1.5	30
Flame-resistant version	<input type="checkbox"/>
Suitable for maintaining electrical function	<input checked="" type="checkbox"/>
Halogen-free	<input checked="" type="checkbox"/>
With anchor	<input type="checkbox"/>