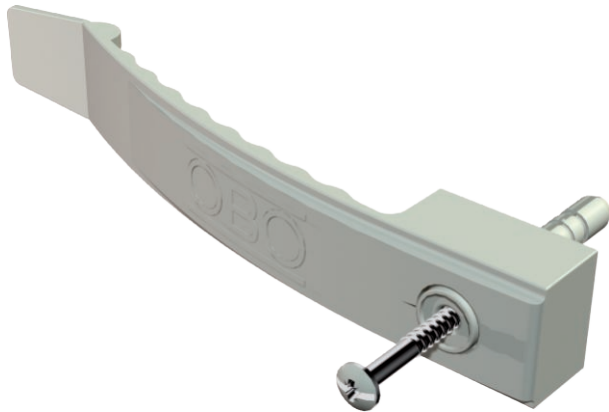


Technical data sheet

Pressure clip with knock-in anchor, for 8 cables

Item no. 2204800



With pre-mounted knock-in anchor, 6 mm Ø.
 Required drill hole depth 50 mm.
 Clamping height 9 mm – with spacer 13 mm.
 Fastening hole 6 mm Ø.



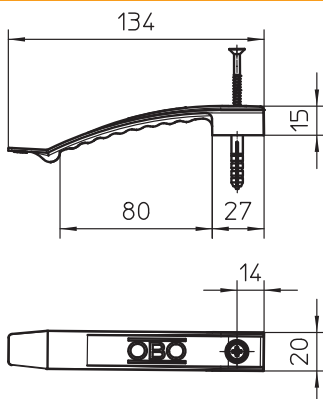
PA Polyamide

Additional product text 1 | 2032/SD for max. 8 cables NYM 3 x 1.5 mm²

Master data

Item no.	2204800
Type	2032.SD
Description 1	Pressure clip
Dimension	1x8 NYM3x1,5
Colour	Light grey
RAL number	7035
Material	Polyamide
Material symbol	PA
Smallest sales unit (VG)	50 Piece
Weight	1,79 kg/100 pc.

Technical data



No. of conductors NYM 3 x 1.5	8
Flame-resistant version	<input type="checkbox"/>
Suitable for maintaining electrical function	<input type="checkbox"/>
Halogen-free	<input checked="" type="checkbox"/>
With anchor	<input checked="" type="checkbox"/>