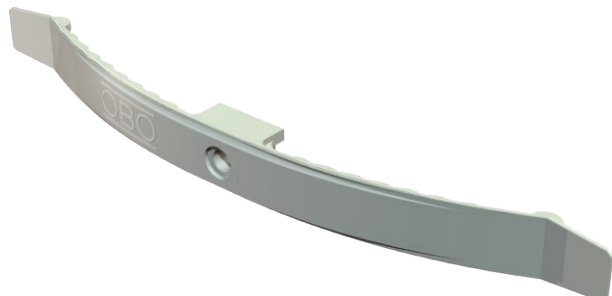


Technical data sheet

Pressure clip for 16 cables

Item no. 2204983



Standard version for general use, e.g. on intermediate ceilings and partition walls.
Clamping height 9 mm – with spacer 13 mm.
Fastening hole: 6 mm Ø.



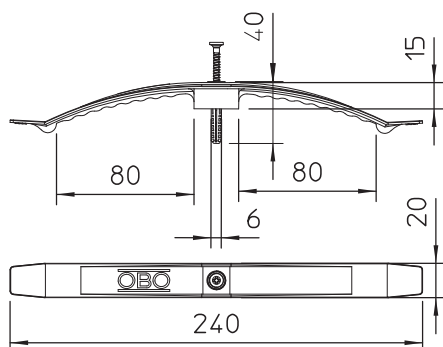
PA Polyamide

Additional product text, instruction	Stone grey version: flame-resistant version, specially for use in suspended ceilings. Thermoplastic Polyester, stone grey RAL 7030, flame-resistant to VDE 0471/DIN IEC 695 Part 2-1, test temperature 960 °C, respectively V-0 to UL 94, halogen-free. Clamping height 9 mm – with spacer 13 mm. Fastening hole: 6 mm Ø.
Additional product text 1	2033 for max. 16 cables NYM 3 x 1.5 mm ²

Master data

Item no.	2204983
Type	2033 SP
Description 1	Pressure clip
Description 2	large packaging
Dimension	2x8 NYM3x1,5
Colour	Light grey
RAL number	7035
Material	Polyamide
Material symbol	PA
Smallest sales unit (VG)	100 Piece
Weight	2,08 kg/100 pc.

Technical data



No. of conductors NYM 3 x 1.5	16
Flame-resistant version	<input type="checkbox"/>
Suitable for maintaining electrical function	<input type="checkbox"/>
Halogen-free	<input checked="" type="checkbox"/>
With anchor	<input type="checkbox"/>