

Technical data sheet

Counter-trough, metal, universal



Item no. 1199919



Irrespective of the rail, universally applicable by pushing onto a limb of the BBS clamp clip.

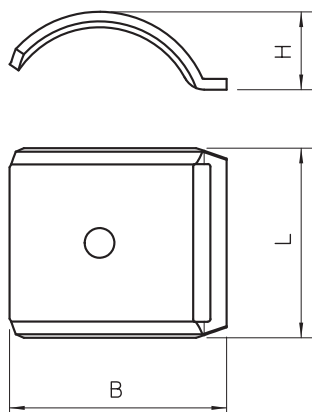


St	Steel
FT	Hot-dip galvanised

Master data

Item no.	1199919
Type	2058FW M 52 FT
Description 1	Counter-trough
Dimension	46-52mm
Material	Steel
Material symbol	St
Surface	Hot-dip galvanised
Surface to DIN	DIN EN ISO 1461
Surface symbol	FT
Smallest sales unit (VG)	50,00 Piece
Weight	3,46 kg/100 pc.

Technical data



Dimension B	58,00 mm
Dimension H	19,20 mm
Dimension L	35,00 mm
Counter-trough/clip version	Counter-trough
Suitable for max. cable diameter	52,00 mm
Halogen-free	<input checked="" type="checkbox"/>
Clamping range D	46,00 - 52,00 mm