

Technical data sheet

Connector

Item no. 1124641



Connector gripping from outside with four holes for straight connection of profile rails 41 x 41 mm and 41 x 21 mm.

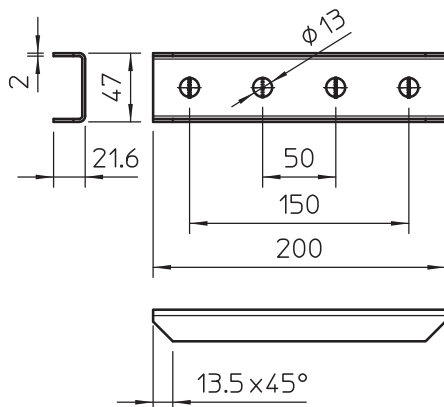


St	Steel
FT	Hot-dip galvanised

Master data

Item no.	1124641
Type	GVMS 4 ASV FT
Description 1	Support connector
Description 2	U profile, with 4 holes
Dimension	200x48x30
Material	Steel
Material symbol	St
Surface	Hot-dip galvanised
Surface to DIN	DIN EN ISO 1461
Surface symbol	FT
Smallest sales unit (VG)	10 Piece
Weight	24,90 kg/100 pc.

Technical data



Length	200,00 mm
Width	47,00 mm
Height	22,00 mm
Version	With continuous perforation 13 mm
Version	External connector
Version	External connector
Suitable for	C profile
Hole size	13 mm
Material thickness	2,00 mm
With screw accessories	<input type="checkbox"/>
Rustproof steel, pickled	<input type="checkbox"/>