

Technical data sheet

Tilting anchor

Item no. 3482758



Including nut and large washer.

The universal heavy-duty fastening for stressed concrete, hollow steel profiles, metal sheets and plates.

Use: heating, ventilation and air conditioning technology, cooling systems, sprinkler systems, pipes, cable tracks, etc.

* Dependent on the thickness of the ceiling profile.



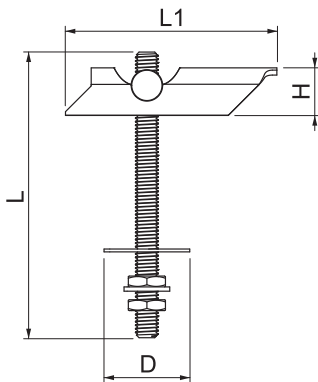
St Steel

G Electrogalvanised

Master data

Item no.	3482758
Type	KD 10 100
Description 1	Tilting anchors
Dimension	M10x100mm
Material	Steel
Material symbol	St
Surface	Electrogalvanised
Surface to DIN	EN ISO 19598 / EN ISO 4042
Surface symbol	G
Smallest sales unit (VG)	25 Piece
Weight	11,20 kg/100 pc.

Technical data



Length	100,00 mm
Dimension L	100,00 mm
Version for	With threaded shaft
Drill hole	25,00 Ø mm
Drill hole diameter	25,00 mm
Breaking load	2,40 kN
overall length	100,00 mm
Thread	M10
Minimum cavity depth	75,00 mm
With washer	<input checked="" type="checkbox"/>