

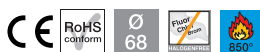
Technical data sheet

HW Compensation ring 10

Item no. 2003842



Compensation ring for cavity wall device box \varnothing 68 mm, to screw on.

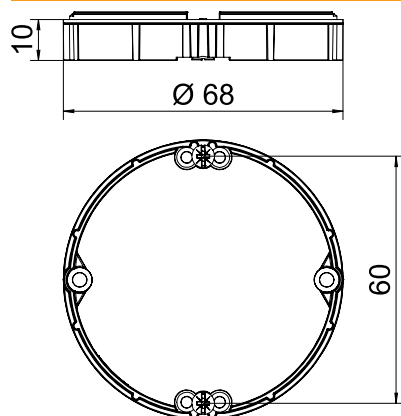


PP Polypropylene

Master data

Item no.	2003842
Type	ZH 10-AR
Description 1	HW Compensation ring
Description 2	for cavity wall device box
Available from	01.10.2021
Dimension	\varnothing 68mm, H10mm
Colour	Orange
Material	Polypropylene
Material symbol	PP
Smallest sales unit (VG)	25 Piece
Weight	0,36 kg/100 pc.

Technical data



Height	10,00 mm
Diameter	68,00 mm
Flame-resistant	acc. to VDE 0471/IEC 60695-2-11, test temperature 850°C
Shape	Round
Accessory screw clearance	60,00 mm
Halogen-free	<input checked="" type="checkbox"/>
With bolts	<input checked="" type="checkbox"/>
Impact-resistant	<input checked="" type="checkbox"/>