

Technical data sheet

HW Compensation ring 20

Item no. 2003844



Compensation ring for cavity wall device box Ø 68 mm, to screw on.

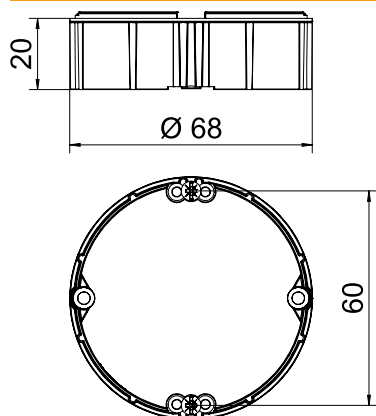


PP Polypropylene

Master data

Item no.	2003844
Type	ZH 20-AR
Description 1	HW Compensation ring
Description 2	for cavity wall device box
Available from	01.10.2021
Dimension	Ø68mm, H20mm
Colour	Orange
Material	Polypropylene
Material symbol	PP
Smallest sales unit (VG)	25 Piece
Weight	0,58 kg/100 pc.

Technical data



Height	20,00 mm
Diameter	68,00 mm
Flame-resistant	acc. to VDE 0471/IEC 60695-2-11, test temperature 850°C
Shape	Round
Accessory screw clearance	60,00 mm
Halogen-free	<input checked="" type="checkbox"/>
With bolts	<input checked="" type="checkbox"/>
Impact-resistant	<input checked="" type="checkbox"/>