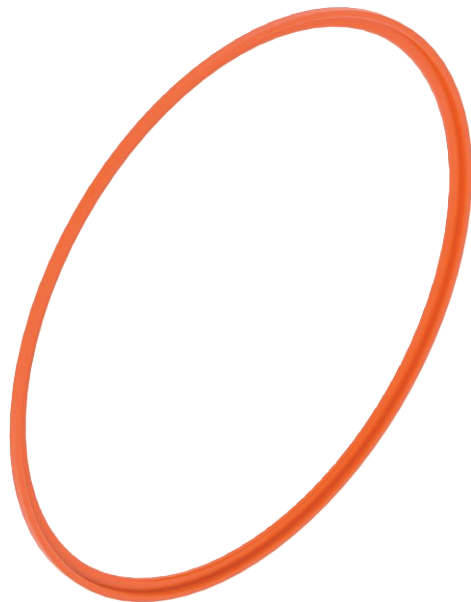


# Technical data sheet

## HW Compensation ring

Item no. 2003840



Compensation ring for cavity wall box  $\varnothing$  68 mm, to compensate for large or unround drill holes.

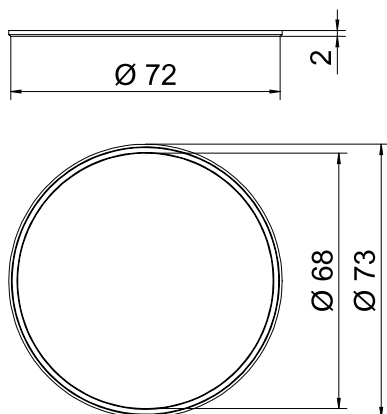


**PP** Polypropylene

### Master data

Item no.	2003840
Type	ZH 68-AR
Description 1	HW Compensation ring
Description 2	cavity wall device box $\varnothing$ 68 mm
Available from	01.10.2021
Dimension	$\varnothing$ 68mm
Colour	Orange
Material	Polypropylene
Material symbol	PP
Smallest sales unit (VG)	10 Piece
Weight	0,05 kg/100 pc.

### Technical data



Height	2,00 mm
Diameter	68,00 mm
Flame-resistant	acc. to VDE 0471/IEC 60695-2-11, test temperature 850°C
Shape	Round
Halogen-free	<input checked="" type="checkbox"/>
Impact-resistant	<input checked="" type="checkbox"/>