

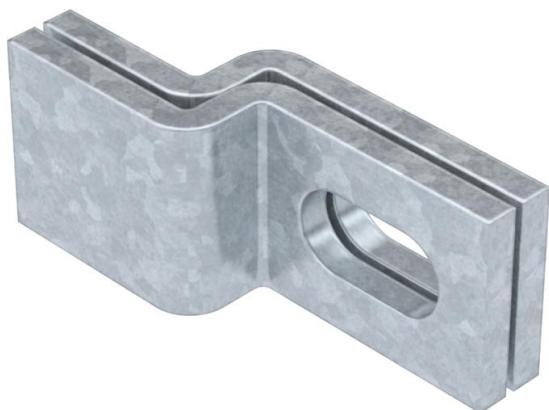
Technical data sheet

Wall bracket FT

Item number: 6019617



Wall bracket for the fastening of light-weight vertical ladders type SLL, to concrete walls and masonry.



CE

St Steel

FT Hot-dip galvanised

Master data

Item number	6019617
Type	WB 30 75 FT
Description 1	Wall bracket
Description 2	for ladder fastening
Manufacturer	OBO
Material	Steel
Surface	Hot-dip galvanised
Surface standard	DIN EN ISO 1461
Smallest sales unit	10
Unit of quantity	Piece
Weight	18.1 kg
Weight unit	kg/100 pc.

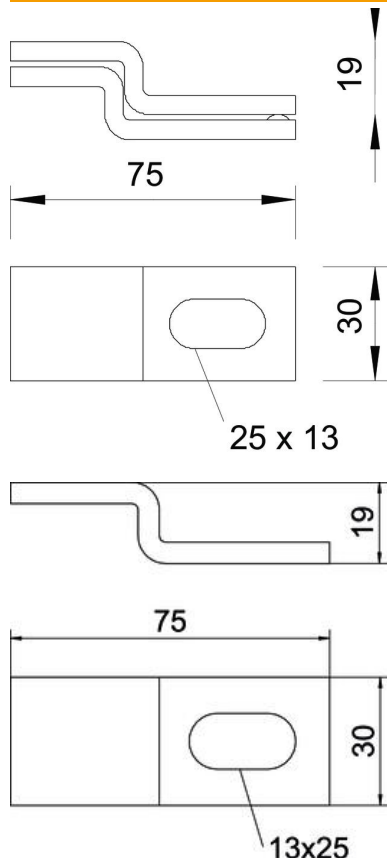
Technical data sheet

Wall bracket FT

Item number: 6019617



Dimensions



Length	75 mm
Width	30 mm
Height	19 mm